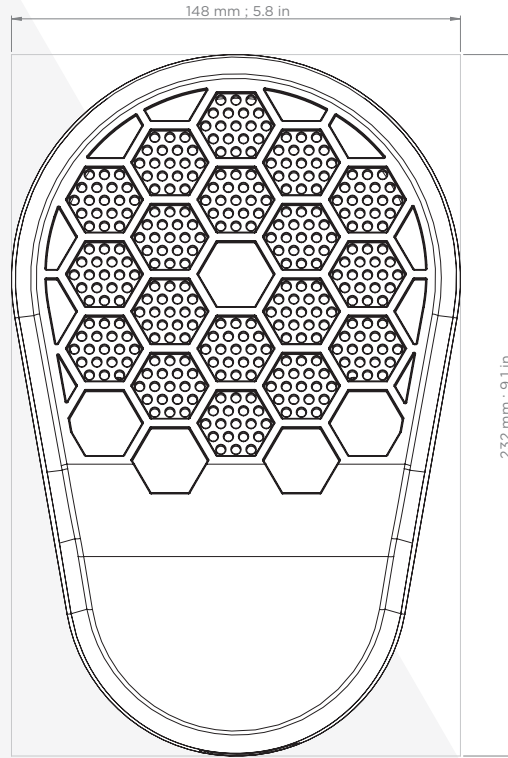


MODIO introduces a continuous soothing background sound into the room, allowing guests to control its acoustic ambience as they would temperature and lighting. The sound is similar to soft airflow, designed for comfort and engineered to cover a variety of hotel noises.

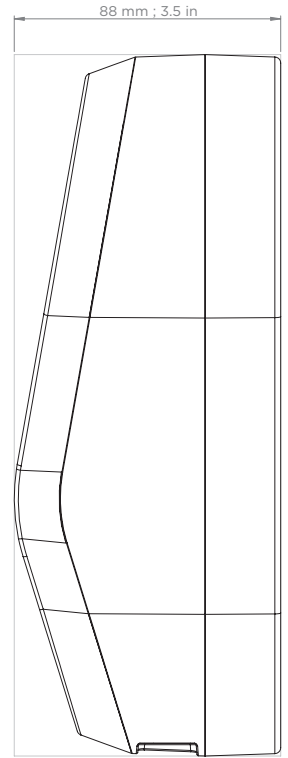
Quickly mount MODIO beneath or behind furnishings, to the back of a free-standing TV, or to a wall using the double-sided tape included with each kit. Alternatively, order a bracket set or mounting plate.

Much like a dimmer switch, the control pad allows each guest to set the background sound level according to personal preference or as needed to cover disturbances. Instructions on the bottom of the control pad quickly tell guests about the purpose and use of this amenity.

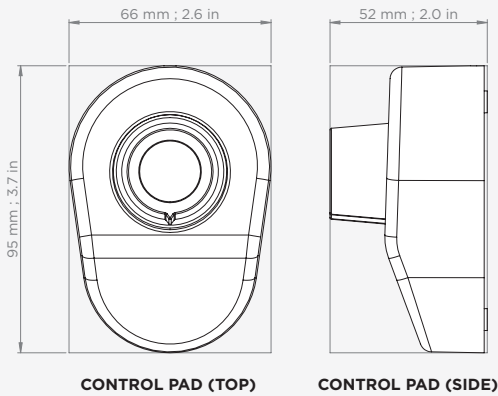
For more information about installing and using MODIO, see the *MODIO User Guide*. It provides an overview of the kit components, required tools and installation procedures, as well as technical support and maintenance information. It also provides operational instructions for hotel staff and guests.



MODIO (FRONT)

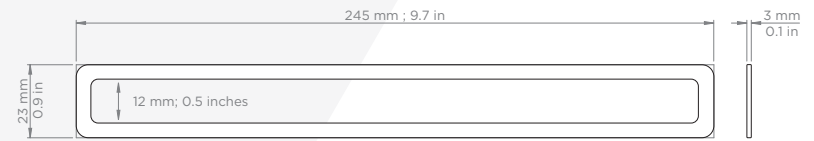


MODIO (SIDE)

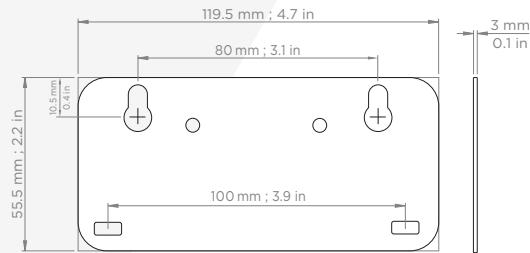


CONTROL PAD (TOP)

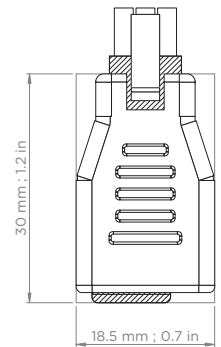
CONTROL PAD (SIDE)



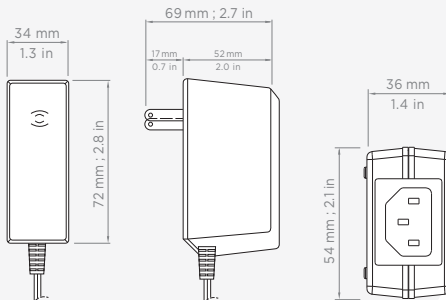
BRACKET (OPTIONAL)



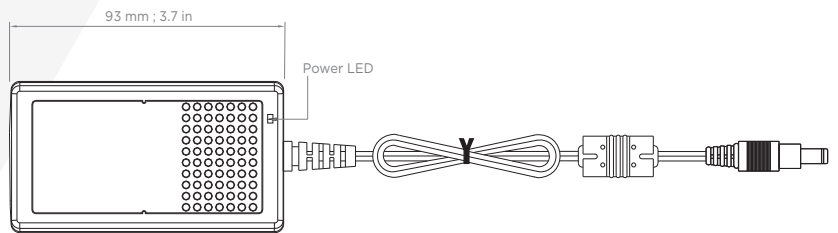
MOUNTING PLATE (OPTIONAL)



POWER COUPLER



POWER SUPPLY (MODEL SW118-24-N)



POWER SUPPLY (MODEL GST25A24)

MODIO Masking Performance

Sound Generation	Digital Signal Processor (DSP), truly random (nondeterministic)
Volume	Up to 85 dBA @ 1 m (3.3 ft)
Equalization	1/3-octave, 23 bands, 63 to 10,000 Hz

Connections

Power/Network Input	6-pin
Control Input	3.5 mm 4-pole stereo jack

Power

Input	24 VDC
Consumption	3.4 W at typical settings

Physical Specifications

Dimensions (W x H x D)	148 x 232 x 88 mm (5.8 x 9.1 x 3.5 inches)
Weight	2.3 lbs (1 kg)
Mounting	Flexible mounting options; see <i>MODIO User Guide</i>
Certifications	Meets UL, CE, ACMA (C-Tick), KC and FCC standards; RoHS compliant
Warranty	5 years

CONTROL PAD

Volume Range	22 decibels (plus 'OFF')
Weight	0.26 lbs (116 g)
Connection	3.5 mm 4-pole stereo plug
Warranty	1 year
Dimensions (W x H x D)	66 x 52 x 95 mm (2.6 x 2.0 x 3.7 inches)

POWER SUPPLY
(MODEL SW118-24-N)

Electrical Performance

Input Voltage	Min 90 VAC; Max 264 VAC
Input Frequency	Min 47 Hz; Max 63 Hz
Output Voltage	24 VDC
Output Power Range	Max 18 W

Connections

Output Connector	Barrel plug, 2.1 mm I.D. x 5.5 mm O.D. x 9.5 mm
Input Connector	NEMA 1-15P
Operating Temperature	0°C - 40°C

Physical Specifications

Dimensions (W x H x D)	72 x 34 x 52 mm (2.8 x 1.3 x 2.0 inches)
Weight	0.375 lbs (170.1 g)
Cord Length	1.5 m (59 inches)

Certifications

Safety Standards	UL/cUL, PSE
EMC	FCC Part 15B Class B
RoHS	RoHS compliant
Countries	USA, Canada, Mexico, and Japan, as well as other countries accepting these certifications and NEMA 1-15P
Warranty	1 year

POWER SUPPLY
(MODEL GST25A24)
* POWER CORD
NOT INCLUDED

Electrical Performance

Input Voltage	Min 85 VAC; Max 264 VAC
Input Frequency	Min 47 Hz; Max 63 Hz
Output Voltage	24 VDC
Output Power Range	Max 25 W

Connections

Output Connector	Barrel plug, 2.1 mm I.D. x 5.5 mm O.D. x 11 mm
Input Connector	IEC320-C14 AC Inlet
Operating Temperature	-30°C - 70°C

Physical Specifications

Dimensions	54 x 36 x 93 mm (2.1 x 1.4 x 3.7 inches)
Weight	0.48 lbs (219 g)

Certifications

Safety Standards	UL60950-1, CSA C22.2, TUV EN60950-1, BSMI CNS14336, CCC GB4943, PSE J60950-1, AS/NZS 60950.1, BIS IS13252, KC K60950-1, EAC TP TC 004 approved; SIRIM MS IEC60950-1 (optional) approved
Energy Efficiency	
EMC	Compliance to EN55032(CISPR32) class B, EN61000-3-2,3, FCC PART 15 / CISPR22 class B, CAN ICES-3(B)/NMB-3(B), CNS13438 class B, GB9254, GB17625.1, EAC TP TC 020, MSIP KN32
RoHS	RoHS compliant
Countries	For use in Europe, India, China, Australia, New Zealand, Russia, and more; request a complete list from the MODIO manufacturer
Warranty	1 year

NOTE: Technical specifications are subject to change without notice.